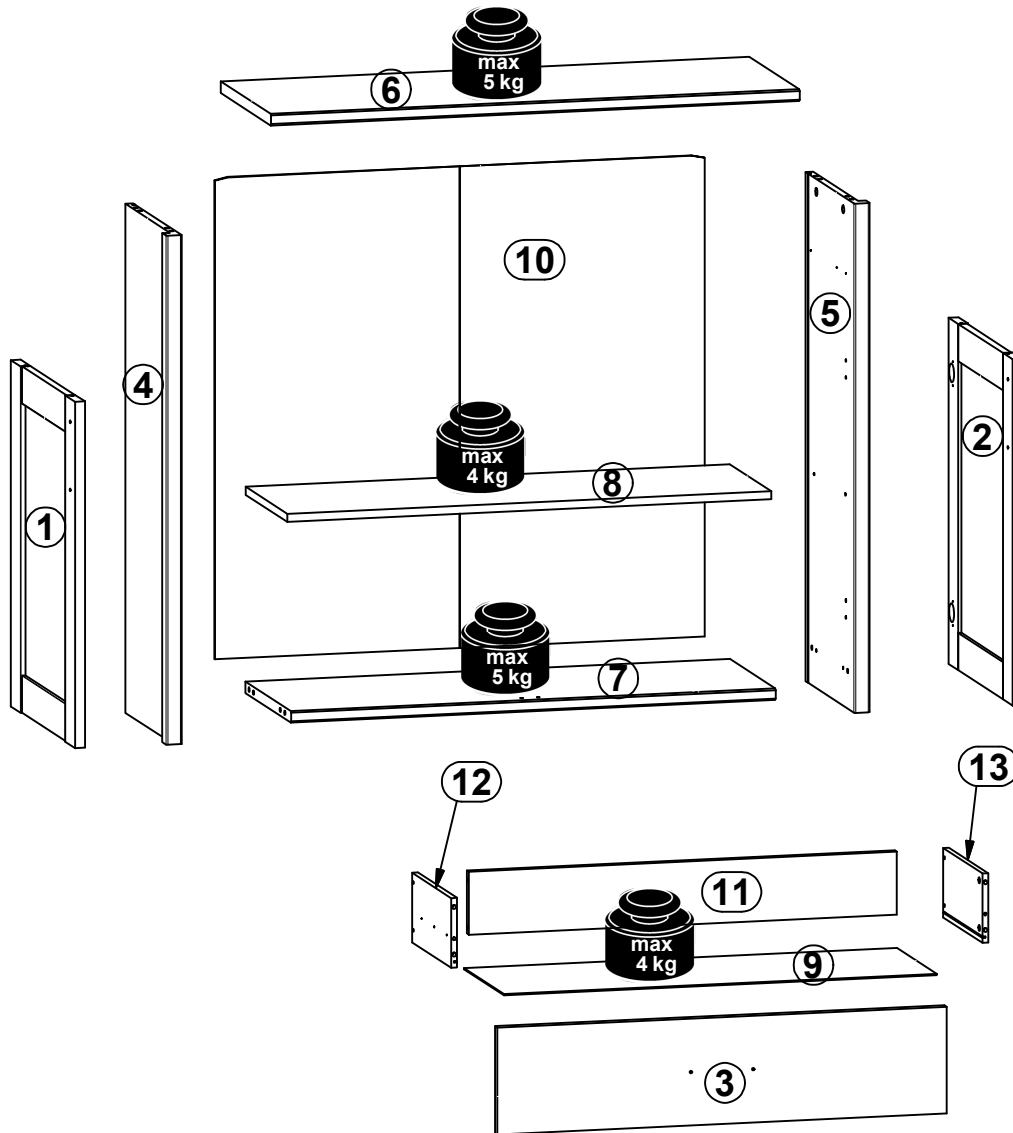
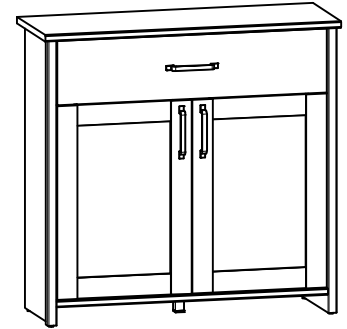
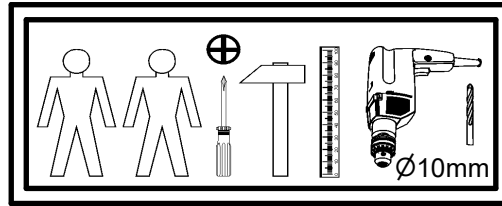
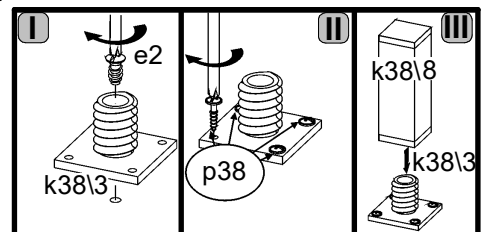
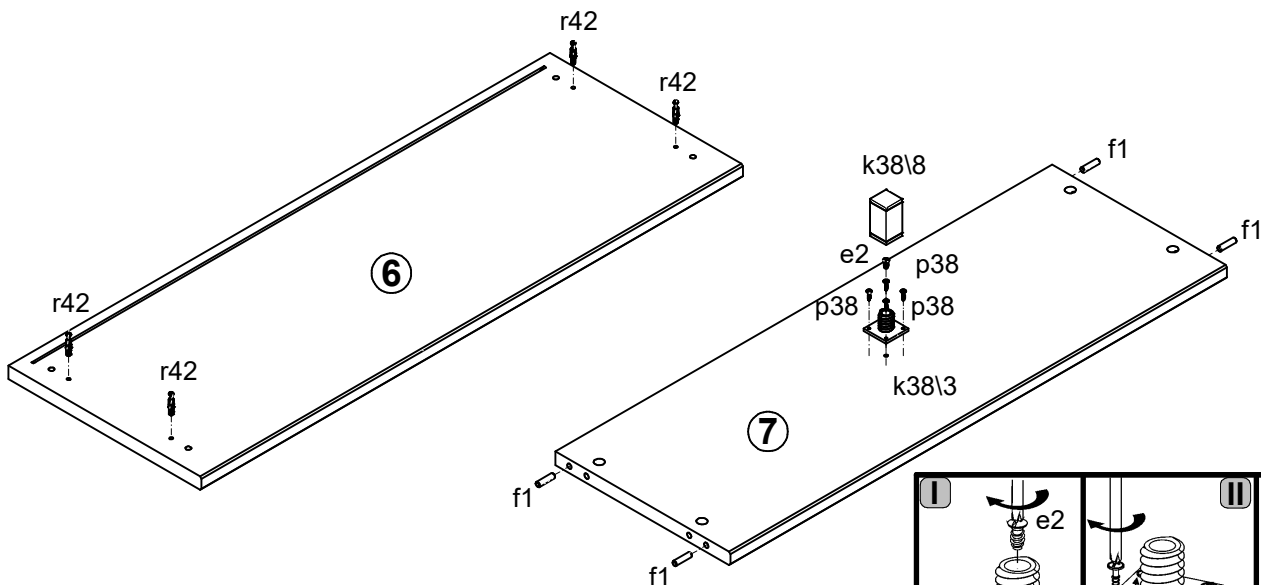
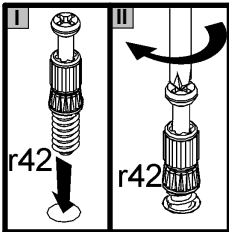
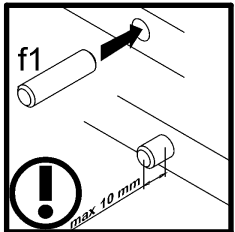
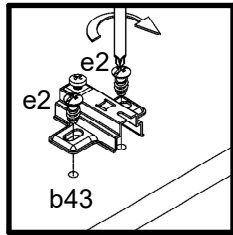
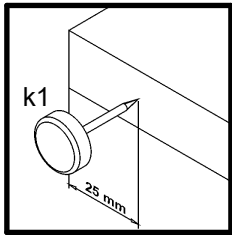
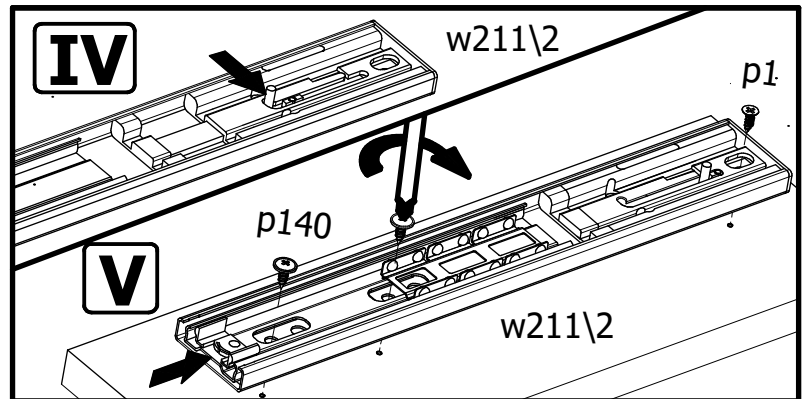
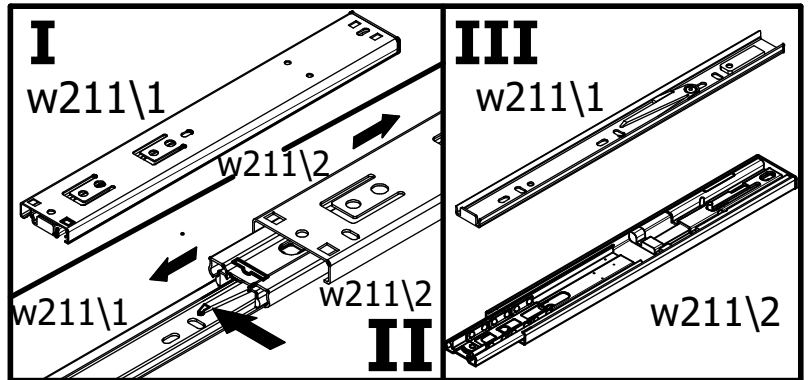
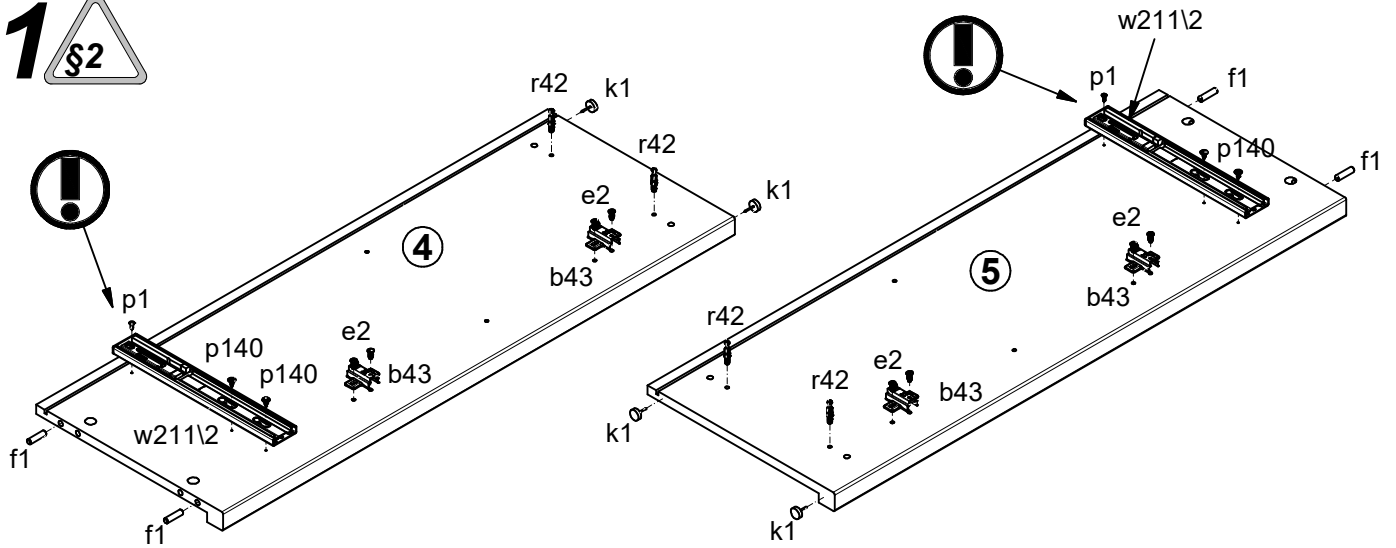


A	B	C	D	
1	S455-0006	651	460	1/1
2	S455-0007	651	460	1/1
3	S455-0008	923	215	1/1
4	S455-1009	957	350	1/1
5	S455-1010	957	350	1/1
6	S455-2005	1013	361	1/1
7	S455-3010	929	327	1/1
8	S455-3011	928	298	1/1
9	S455-9002	889	305	1/1
10	S455-9304	905	939	1/1
11	ZK3-5045	879	127	1/1
12	ZK4-511	300	140	1/1
13	ZK4-512	300	140	1/1

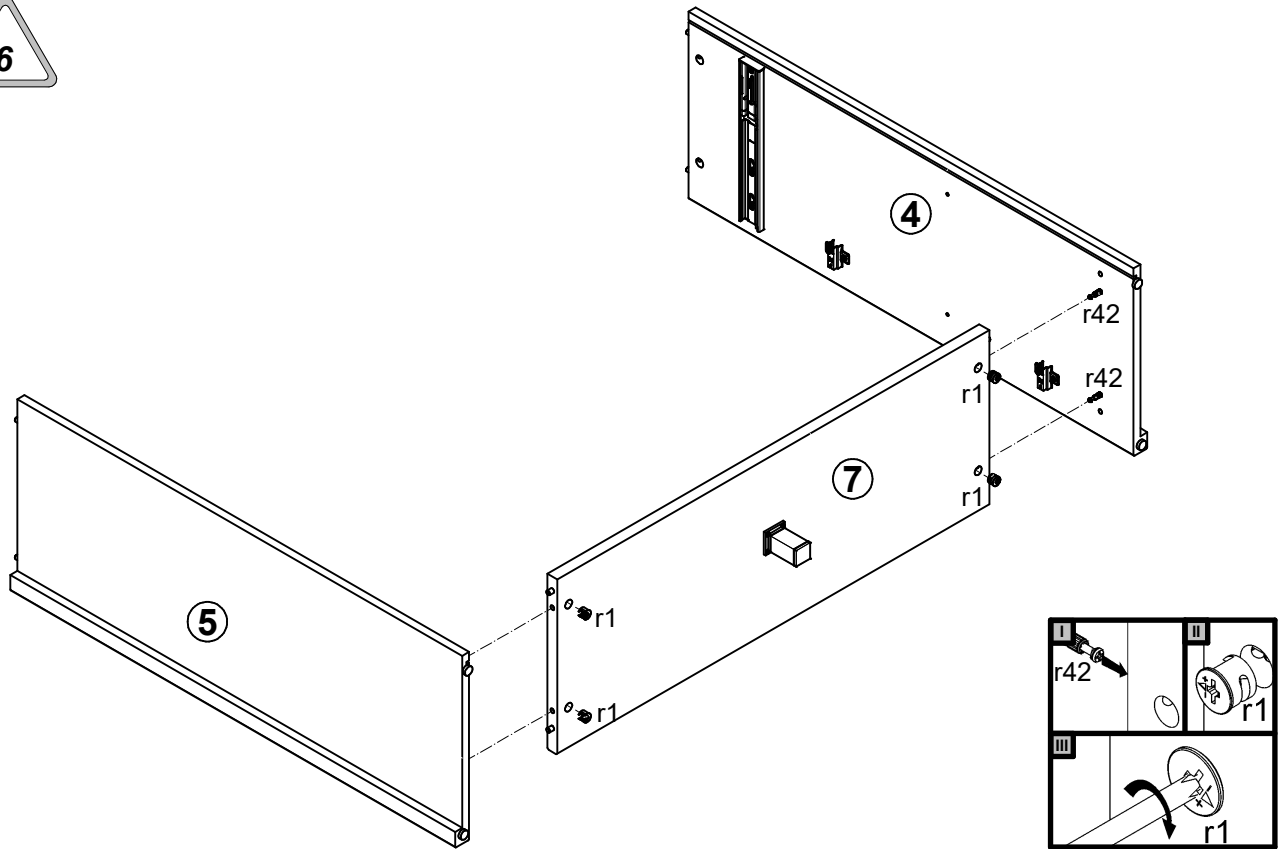


2x a133	4x a160	4x b43	3x c526 128mm	4x d1 Ø5x17 mm	2x d5 Ø6,3x15 mm	9x e2 Ø6,3x13 mm	8x f1 Ø8x30 mm	2x f9 Ø6x30 mm
4x f25 Ø6,5x40 mm	4x k1	1x k38l3 42,5x42,5x4 mm	1x k38l8 30x30x60 mm	10x l1 1,4x20 mm	6x l2	2x p1 Ø3,5x13 mm	6x p9 Ø4x30 mm	1x p25 Ø3,5x16 mm
1x p35 Ø3,5x10 mm	10x p38 Ø3,5x16 mm	8x p51 Ø3,5x15 mm	10x p140 Ø3,5x12 mm	8x r1 Ø15x12 mm #16	4x r15 Ø12x10,5 mm #12	12x r42 20/11	2x w211\1 L=300 mm	2x w211\2 L=300 mm
1x t25 300 mm							1x n26	1x p38 Ø3,5x16 mm

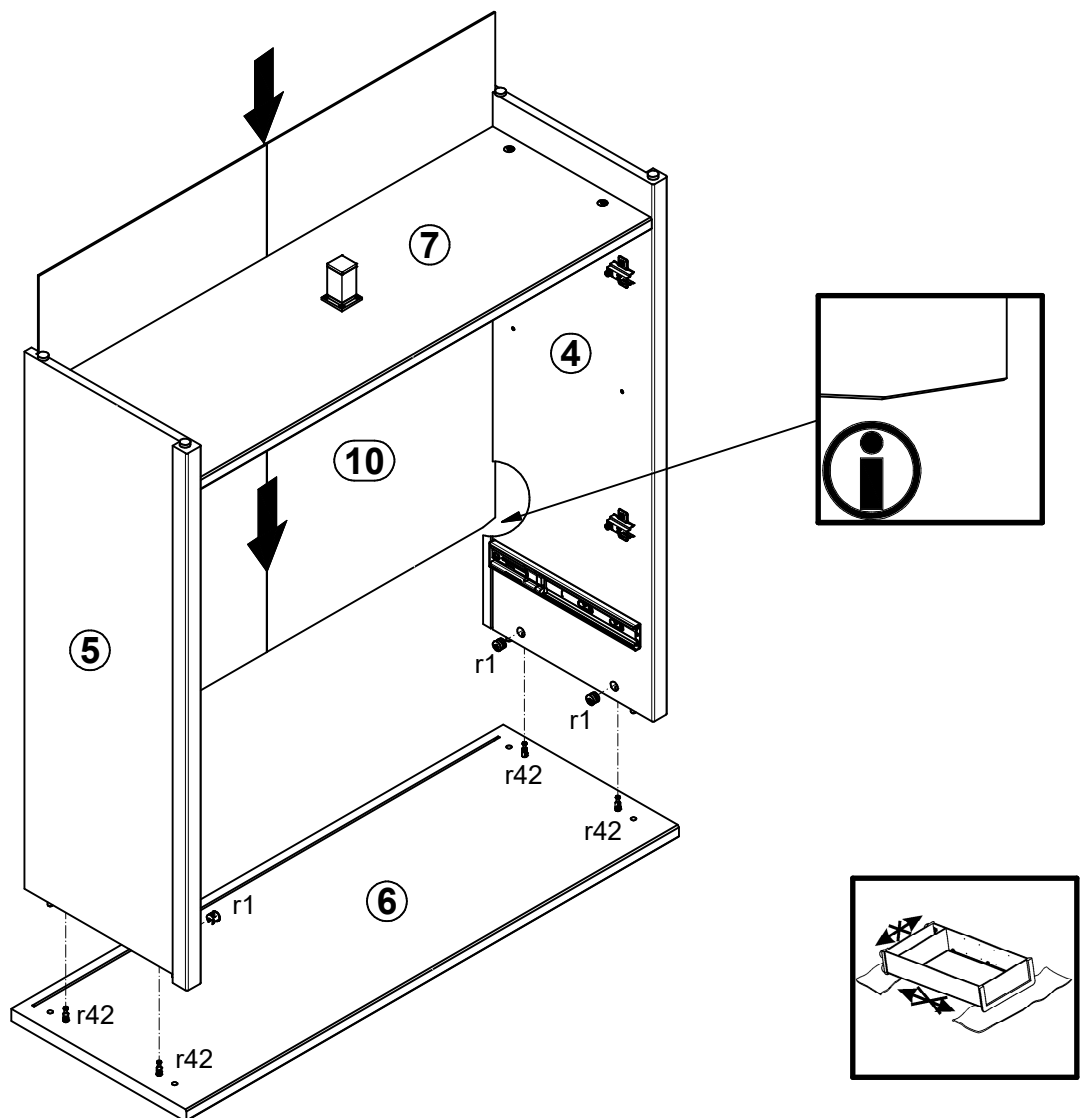
1 §2



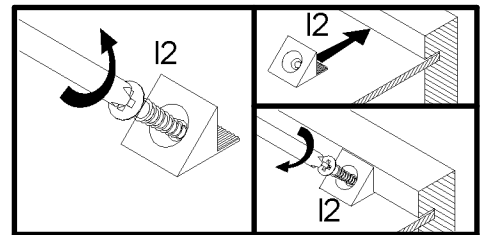
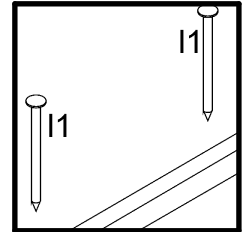
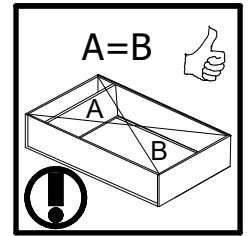
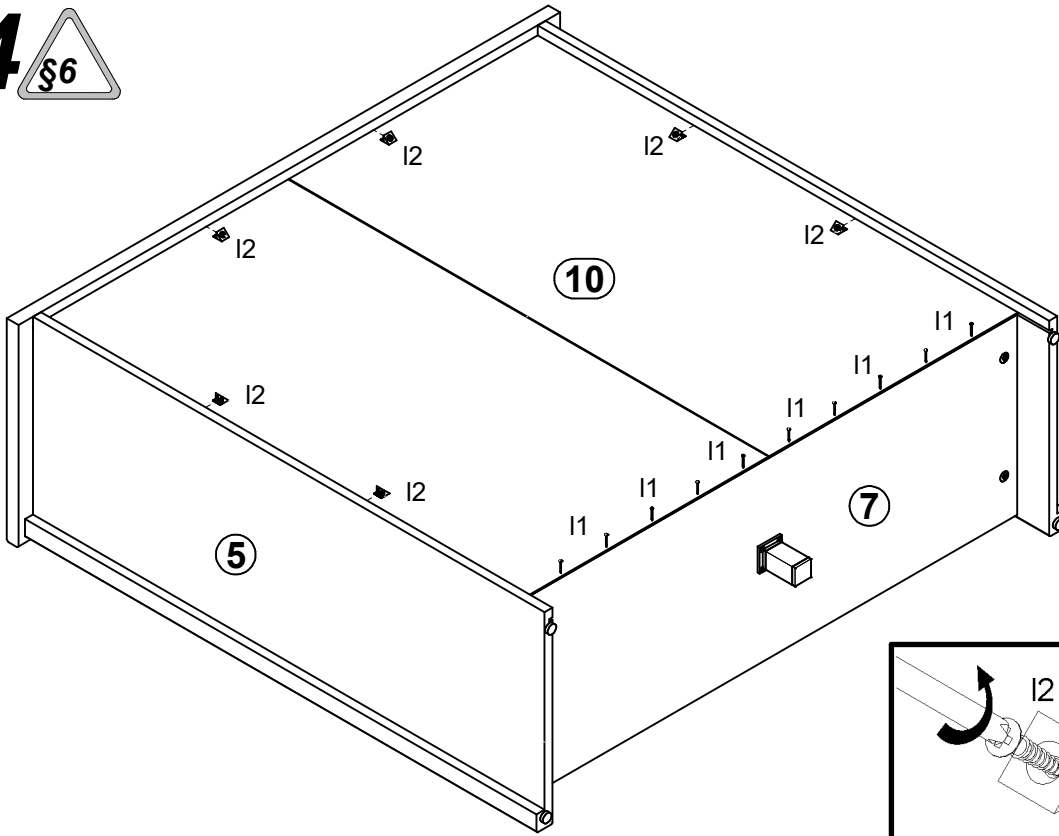
2 



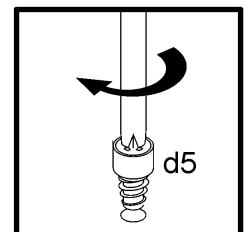
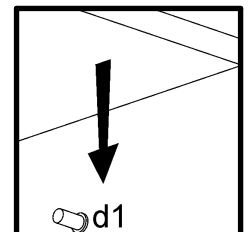
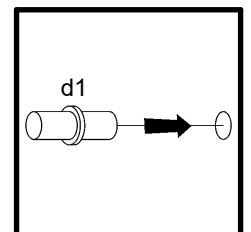
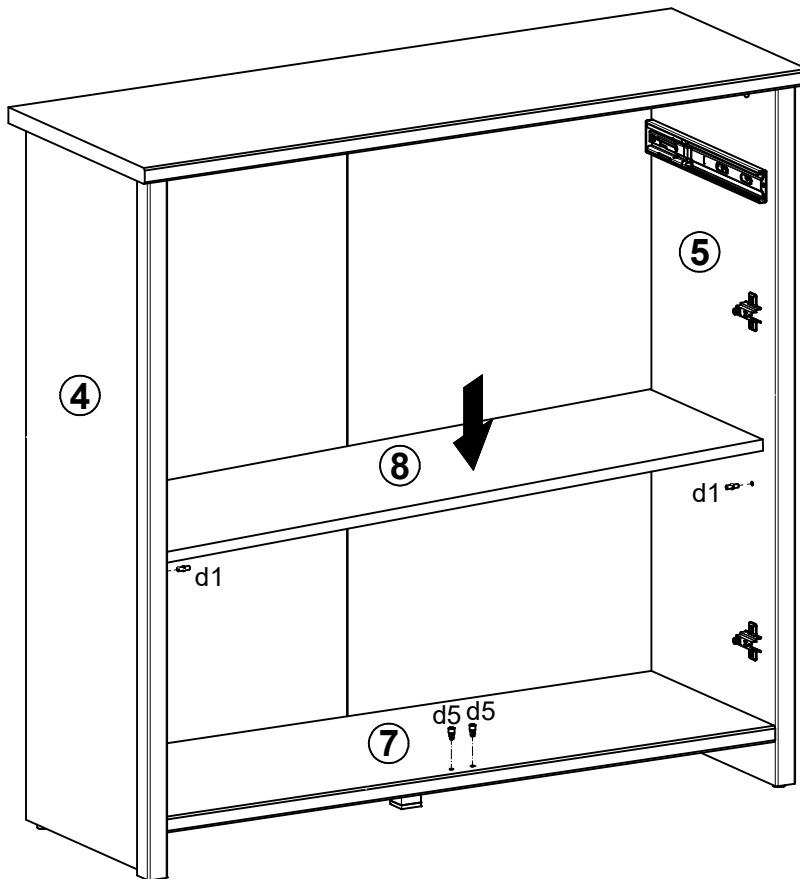
3 



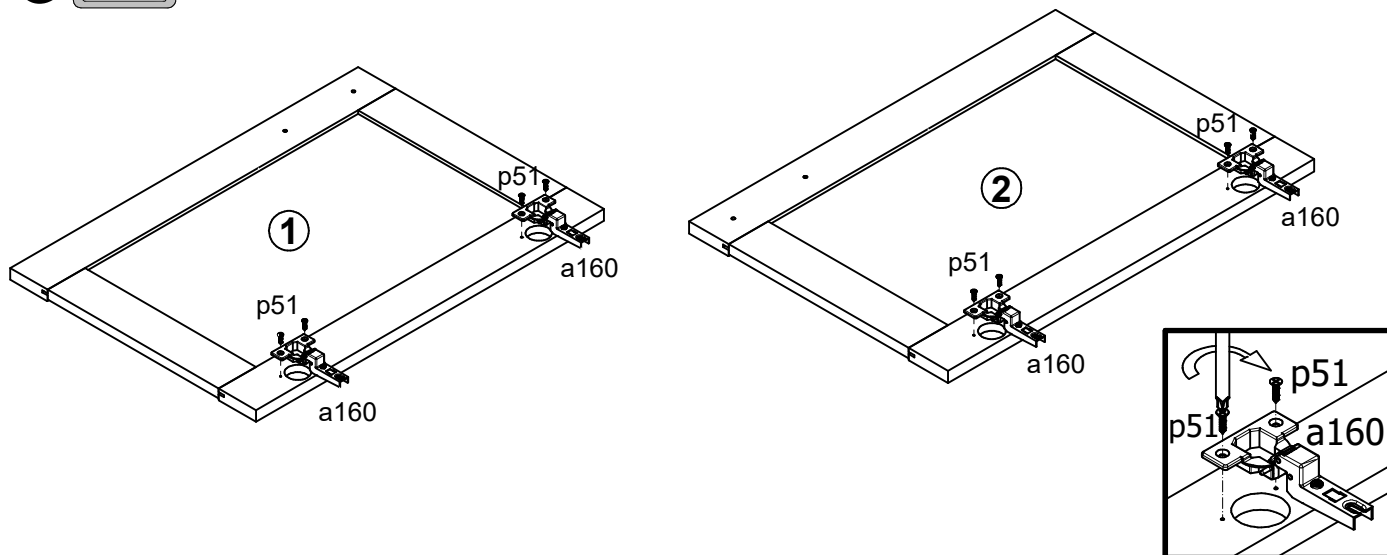
4 



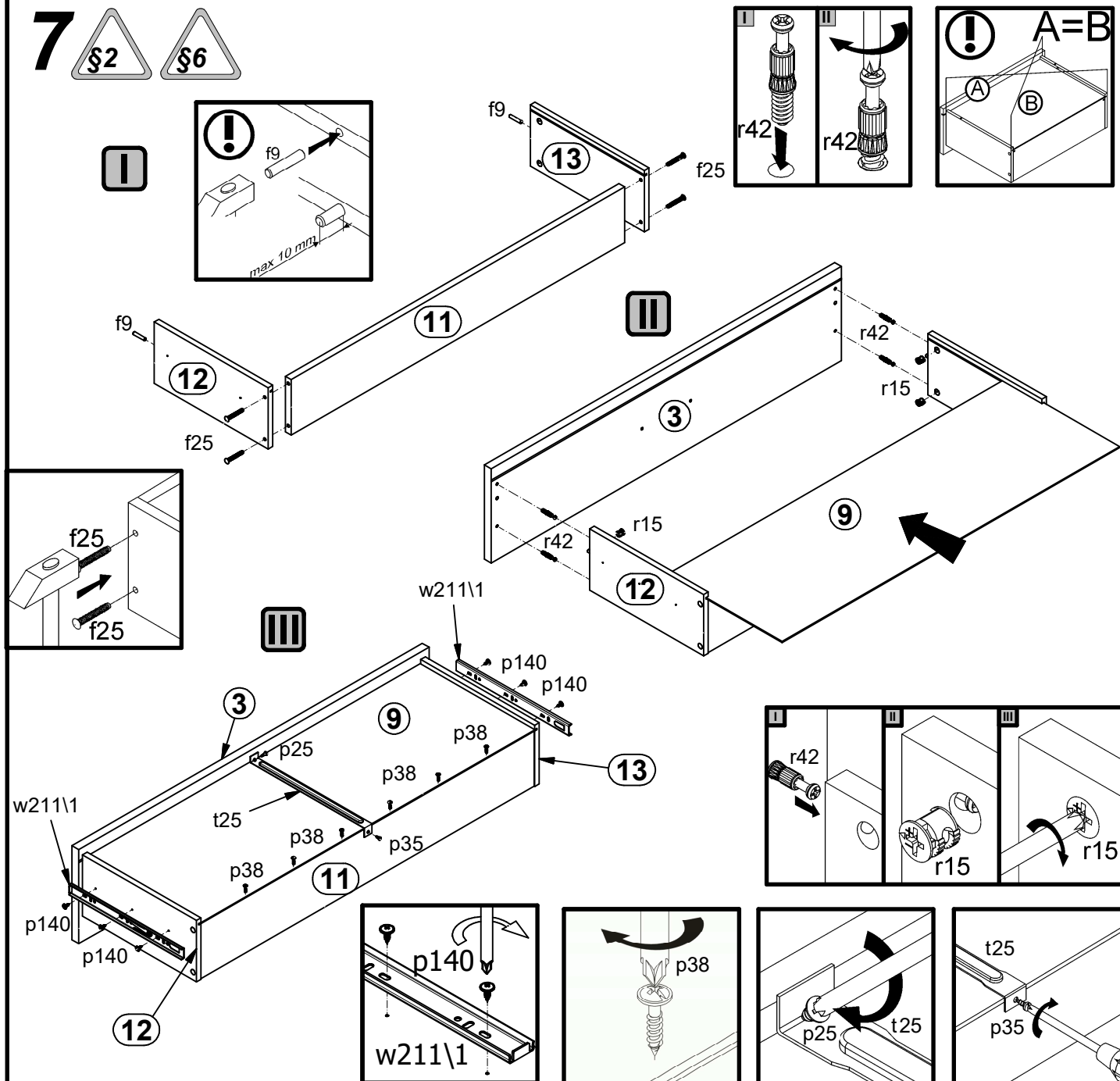
5 



6



7



8 §6

